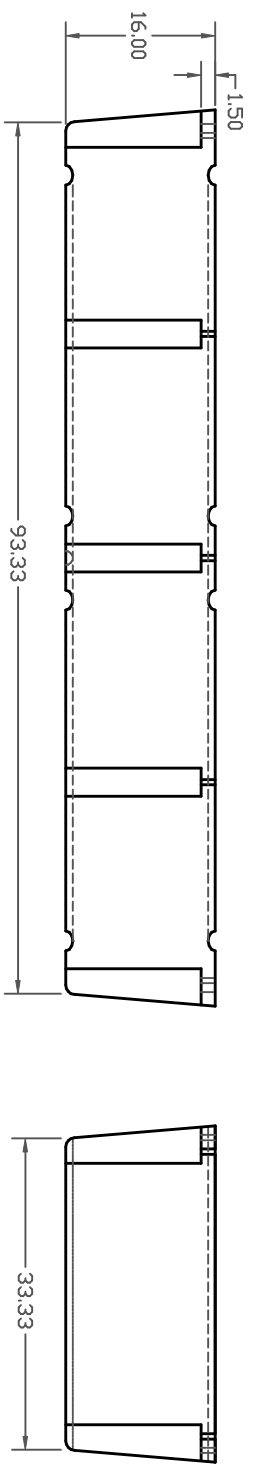
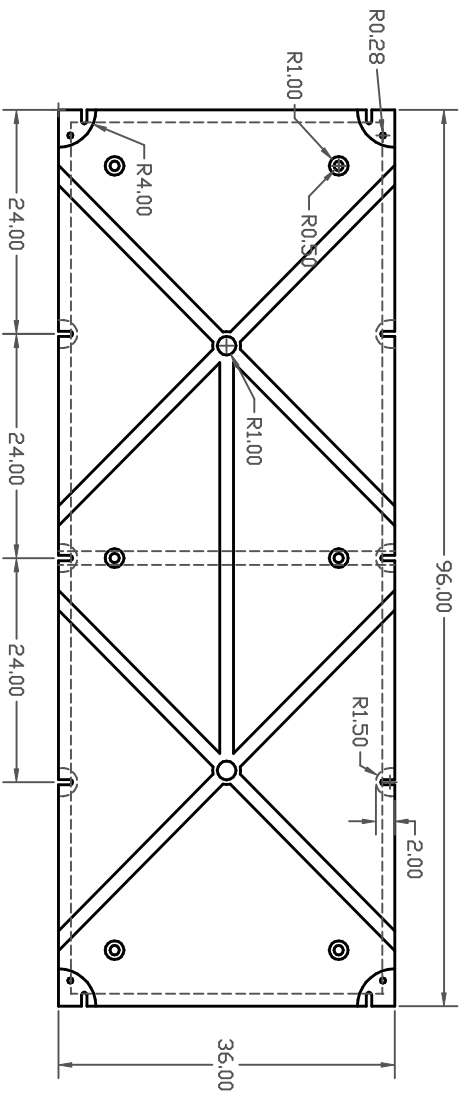


PROPRIETARY DATA

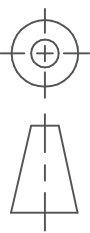
PROPERTY OF ACE ROTO-MOLD MFG., INC. INFORMATION FURNISHED HEREIN IS THE PROPERTY OF ACE ROTO-MOLD MFG., INC. AND SHALL NOT BE USED, DISCLOSED TO OTHERS, OR COPIED WITHOUT THE EXPRESSED WRITTEN CONSENT OF ACE ROTO-MOLD MFG., INC. ALL RIGHTS RESERVED.

3696-16



REV	DESCRIPTION	DATE	APPRD	DRAWN / DATE	MATERIAL
				DHJ 1/9/06	MDPE OR EQUIVALENT REFERENCE MATERIAL DATA SHEET FOR SPECIFIC PROPERTIES.
				APPRD. / DATE	

THIRD ANGLE PROJECTION
ANSI 14.5M



Ace Roto-Mold
A DIVISION OF DEN HARTOG INDUSTRIES, INC.
4018 HWY. 60 BLVD., BOX 421, HOSPERS, IOWA 51238

ALL DIMENSIONS ARE IN DECIMAL INCHES
TOLERANCES UNLESS OTHERWISE SPECIFIED
+ 1% @ 68° F

CLIENT / DESCRIPTION
SCALE N.S.
PART NO. 3696-16

- NOTES:
1. FOAM FILLED 104LBS.
 2. SHOT WEIGHT 72LBS.